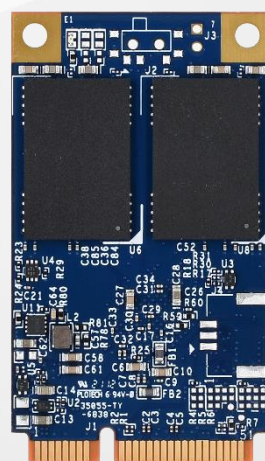


# Apacer

The Most **Reliable**  
Storage For Industries

**ST250-300 CET**



## ST250-300 CET

### Overview

Apacer's ST250-300 is a well-balanced solid-state disk (SSD) drive with a standard form factor and excellent performance. Designed with SATA-based connector pinouts and a SATA 6 Gb/s interface, ST250-300 fully complies with the latest SATA Revision 3.2 interface specifications, delivering exceptional read/write speeds. This makes it the ideal choice for heavy-loading industrial or server operations.

Utilizing 3D NAND technology for capacities up to 2TB and offering superior power efficiency than 2D NAND, ST250-300 is equipped with a robust SATA controller supporting on-the-module ECC and efficient wear leveling scheme. It also features an LDPC (Low Density Parity Check) ECC engine to enhance SSD endurance and data reliability. Additionally, ST250-300 includes a built-in thermal sensor for monitoring SSD temperature via S.M.A.R.T commands, preventing overheating. Operating at a 6 Gb/s interface, it comes with Apacer's latest S.M.A.R.T. technology, tailored for monitoring and analyzing the lifespan of SATA interface SSDs. For demanding applications, End-to-End Data Protection ensures data integrity at multiple transfer points, facilitating reliable data delivery.

In terms of security, Advanced Encryption Standard (AES) provides robust protection, ensuring data is safeguarded against unauthorized access at all times. ST250-300 also incorporates various advanced features, including flash block management, DataDefender, ATA secure erase, TRIM, page mapping, device sleep, Hyper Cache technology, power saving modes, and SMART Read Refresh.

With its exceptional performance, proven reliability, and enhanced data protection, ST250-300 is an ideal storage or cache solution for a wide range of applications, from industrial and imaging to computing and enterprise markets.



## Feature

- Low-Density Parity-Check (LDPC) Code
- Global Wear Leveling
- Flash bad-block management
- Flash Translation Layer: Page Mapping
- S.M.A.R.T.
- DataDefender
- Device Sleep
- ATA Secure Erase
- TRIM
- Hyper Cache Technology
- SATA Power Management
- DataRAID
- SMART Read Refresh

## Specifications

<b>Model</b>	ST250-300 CET
<b>Interface</b>	SATA 3.2 (6Gb/s)
<b>Connector</b>	52-pin mSATA connector
<b>Form Factor</b>	JEDEC MO-300
<b>NAND Flash Type</b>	3D TLC
<b>Capacity</b>	128GB-2TB
<b>External DRAM</b>	N
<b>Sequential Read Performance (MB/sec)</b>	Up to 560
<b>Sequential Write Performance (MB/sec)</b>	Up to 515
<b>ECC Engine</b>	Low-Density Parity-Check (LDPC) Code
<b>IOPS (4K Random Write)</b>	67K
<b>Standard Operating Temperature ( °C )</b>	CET -25°C to 85°C
<b>Extended Operating Temperature ( °C )</b>	-
<b>Storage Temperature ( °C )</b>	-55°C to 100°C
<b>Thermal Sensor</b>	Yes
<b>Shock</b>	Operation: 50G/11ms (compliant with MIL-STD-202G) Non-operation: 1500G/0.5ms (compliant with MIL-STD-883K)
<b>Vibration</b>	Operation: 7.69 Grms, 20~2000 Hz/random (compliant with MIL-STD-810G) Non-operation: 4.02 Grms, 15 ~ 2000 Hz/sine (compliant with MIL-STD-810G)
<b>Operating Voltage</b>	3.3 V ± 5%
<b>Power Consumption</b>	Active mode: 410 mA / Idle mode: 65 mA
<b>Dimension (L x W x H )</b>	50.80 x 29.85 x 4.85, unit: mm
<b>MTBF (hours)</b>	>3,000,000

## Mechanical Specification

Table 9-1 Physical Information

Parameter	Unit	128 GB	256 GB	512 GB	1 TB	2 TB
Length	mm	50.80 ± 0.15				
Width		29.85 ± 0.15				
Height (Max.)		4.85				
Weight	g ± 5%	5.05	5.42	6.16	6.62	6.54

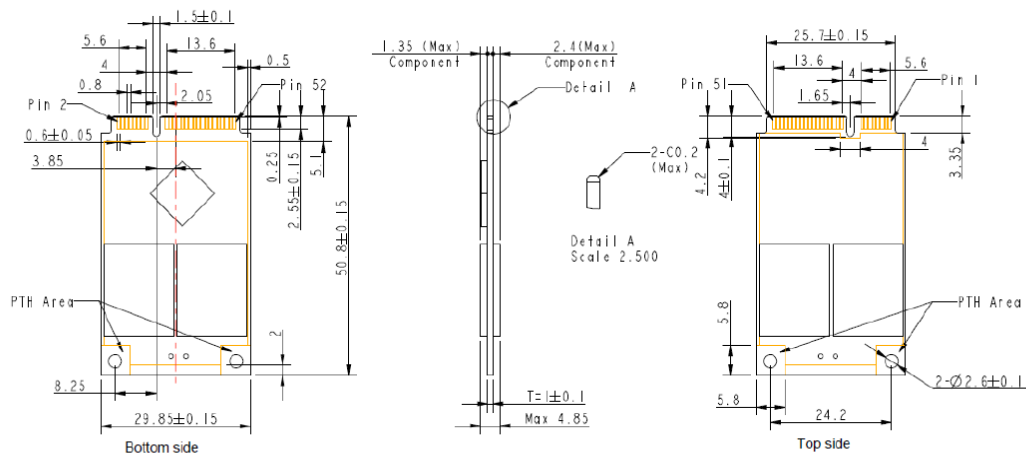


Figure 9-1 Physical Dimensions

For more information,  
contact your Apacer representative

### Global Presence

Taiwan (Headquarters)  
Apacer Technology Inc.  
Tel: +886-2-2267-8000  
Fax: +886-2-2267-2261

Europe  
Apacer Technology B.V.  
Tel: +31-40-267-0000  
Fax: +31-40-290-0686

U.S.A.  
Apacer Memory America, Inc.  
Tel: +1-408-518-8699  
Fax: 1-510-249-9551

Shanghai  
Apacer Electronic(Shanghai)  
Co., Ltd.  
Tel: +86-21-6228-9939

Japan  
Apacer Technology Corp.  
Tel: +81-3-5419-2668  
Fax: +81-3-5419-0018

India  
Apacer Technologies Pvt. Ltd.  
Tel: +91-80-41529061~3  
Fax: +91-80-41700215