

Apacer

The Most **Reliable**
Storage For Industries



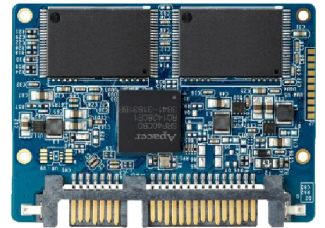
SM22P-297



SM22P-297

Overview

Featuring CorePower technology, Apacer's SM22P-297 is a well-balanced solid-state disk (SSD) drive with compact form factor and great performance. Designed in SATA 6.0 Gbps interface, the SSD is able to deliver exceptional read/write speed, making it the ideal companion for heavy-loading industrial or server operations. For data efficiency, the internal controlling unit of the SSD is engineered with DRAM for enhanced random performance. In regard of reliability, the drive comes with various implementations including powerful hardware ECC engine, power saving modes, wear leveling, flash block management, S.M.A.R.T., TRIM, and power failure management.



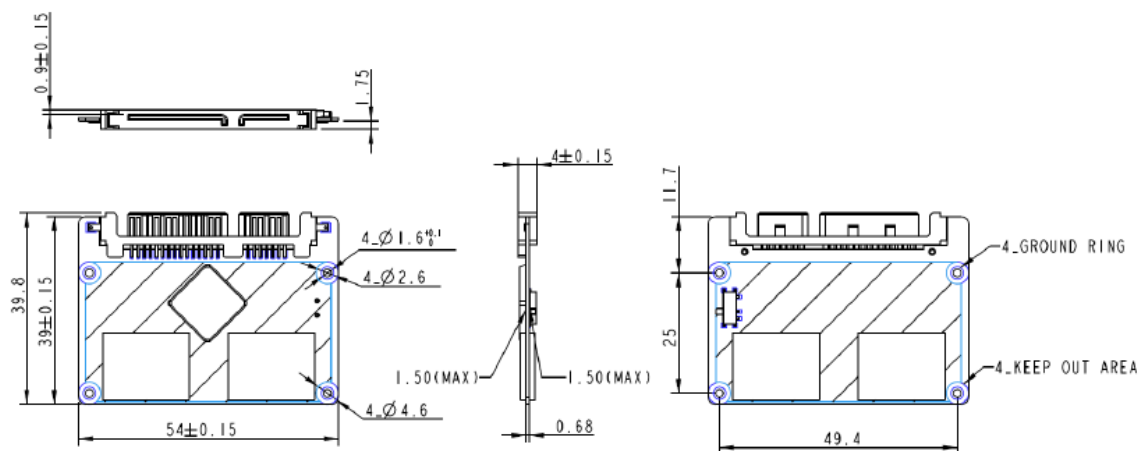
Feature

- Compliant with JEDEC MO-297 standard
- CorePower Technology
- Global Wear-leveling and Block Management
- Built-in ATA Secure Erase and S.M.A.R.T. Functions
- TRIM Command Support
- DEVSLP Support
- Power Failure Management

Specifications

Model	SM22P-297
Interface	SATA 3.0 (6Gb/s)
Connector	(7+15) pin male
Form Factor	JEDEC (MO297)
NAND Flash Type	MLC
Capacity	32GB~128GB
External DRAM	Yes
Sustained Read Performance (MB/sec)	Up to 510
Sustained Write Performance (MB/sec)	Up to 85
ECC Engine	Built-in 72-bit per 1K bytes BCH ECC
Standard Operating Temperature (°C)	0 ~ + 70
Extended Operating Temperature (°C)	-40 ~ + 85
Storage Temperature (°C)	-40 ~ + 100
Thermal Sensor	Optional
Shock	1500G (complied with MIL-STD810)
Vibration	15G (complied with MIL-STD810)
Operating Voltage	5.0 V ± 5%
Power Consumption	Active mode: 320 mA & Idle mode: 80 mA
Dimension (L x W x H)	54 x 39.8 x 4 (mm)
MTBF (hours)	>1,000,000

Mechanical Specification



Unit: mm

For more information, contact your Apacer representative

Global Presence

Taiwan (Headquarters)
Apacer Technology Inc.
Tel: +886-2-2267-8000
Fax: +886-2-2267-2261

Europe
Apacer Technology B.V.
Tel: +31-40-267-0000
Fax: +31-40-290-0686

U.S.A.
Apacer Memory America, Inc.
Tel: +1-408-518-8699
Fax: 1-510-249-9551

China
Apacer Electronic(Shanghai)
Co., Ltd.
Tel: +86-21-6228-9939

Japan
Apacer Technology Corp.
Tel: +81-3-5419-2668
Fax: +81-3-5419-0018

India
Apacer Technologies Pvt. Ltd.
Tel: +91-80-41529061~3
Fax: +91-80-41700215