

# Apacer

The Most **Reliable**  
Storage For Industries

PV25P-CFX



### Overview

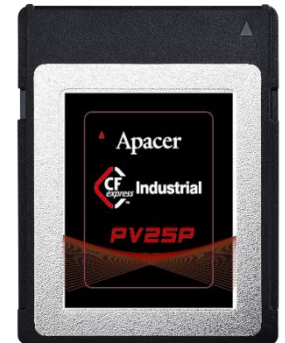
Apacer Industrial CFexpress PV25P-CFX, utilizing 3D NAND for higher capacity up to 960GB and providing more power efficiency than 2D NAND, is the next generation Solid State Drive (SSD) with compact and high-speed storage to support larger, faster hosts deployed in a wide range of applications that require outstanding performance.

PV25P-CFX provides full compliance with the latest PCIe Gen4 x2 and NVMe Express interface specifications which allows the SSD to not only operate in power management modes and greatly save on power consumption, but also deliver exceptionally low latency and high performance, up to 3,740MB/s read and 2,940MB/s write. This new standard is designed for a variety of applications ranging from industrial, imaging, computing to enterprise markets.

PV25P-CFX is built with a powerful PCIe controller that supports on-the-module ECC as well as efficient wear leveling scheme, and implemented with LDPC (Low Density Parity Check) ECC engine to extend SSD endurance and increase data reliability. Featuring CorePower technology, PV25P-CFX guarantees data integrity and stability of data transmission in the event of an unexpected power loss by implementing backup power supply with tantalum capacitors that allow sufficient time to move all cached data to NAND flash. Furthermore, PV25P-CFX is equipped with a built-in thermal sensor to monitor the temperature of the SSD via S.M.A.R.T commands and configured with thermal throttling to dynamically adjust frequency scaling to enhance data reliability and provide sustained performance while overheating. For highly-intensive applications, End-to-End Data Protection ensures that data integrity can be assured at multiple points in the path to enable reliable delivery of data transfers.

Security-wise, Advanced Encryption Standard (AES) ensures data security and provides users with peace of mind knowing their data is safeguarded against unauthorized use at all times. PV25P-CFX also adopts the latest page mapping file translation layer and comes with various implementations including flash block management, power saving modes, TRIM, over-provisioning, and SMART Read Refresh.

With exceptional performance, trustable reliability, and enhanced data protection, PV25P-CFX is definitely the ideal storage or cache solution for a variety of applications ranging from industrial, imaging, computing to enterprise markets.



## Feature

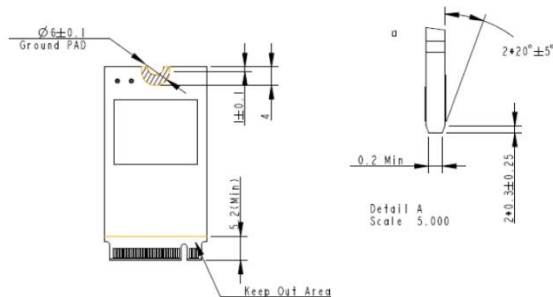
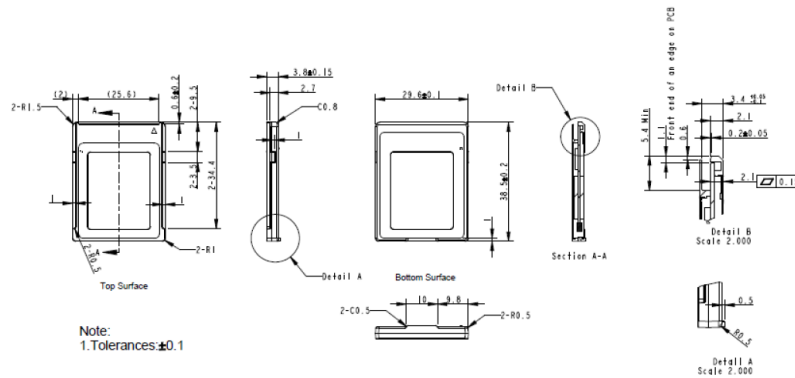
- Low-Density Parity-Check (LDPC) Code
- Global Wear Leveling
- Flash bad-block management
- Flash Translation Layer: Page Mapping
- S.M.A.R.T.
- TRIM
- Over-provisioning
- SMART Read Refresh™

## Specifications

<b>Model</b>	PV25P-CFX
<b>Interface</b>	PCIe Gen4x2
<b>Connector</b>	-
<b>Form Factor</b>	CFexpress 2.0 Type B
<b>NAND Flash Type</b>	3D TLC
<b>Capacity</b>	240GB-960GB
<b>External DRAM</b>	No
<b>Sustained Read Performance (MB/sec)</b>	Up to 3,740
<b>Sustained Write Performance (MB/sec)</b>	Up to 2,940
<b>ECC Engine</b>	Low-Density Parity-Check (LDPC) Code
<b>IOPs (4K Random Write)</b>	484K
<b>Standard Operating Temperature ( °C )</b>	0 ~ + 70
<b>Extended Operating Temperature ( °C )</b>	-40°C to 85°C
<b>Storage Temperature ( °C )</b>	-55 ~ + 100
<b>Housing</b>	No
<b>Thermal sensor</b>	Yes
<b>Shock</b>	Operation: Acceleration, 50(G)/11(ms)/half sine (compliant with MIL-STD-202G) Non-operation: Acceleration, 1500(G)/0.5(ms)/half sine (compliant with MIL-STD-883K)
<b>Vibration</b>	Operation:7.69 GRMS, 20~2000 Hz/random (compliant with MIL-STD-810G) Non-operation:4.02 GRMS, 15~2000 Hz/random (compliant with MIL-STD-810G)
<b>Operating Voltage</b>	3.3V ±5%
<b>Power Consumption</b>	Active mode: 1135 mA / Idle mode: 155mA
<b>Dimension (L x W x H )</b>	29.60 x 38.50 x 3.80(max.)
<b>MTBF (hours)</b>	>3,000,000

## Mechanical Specification

Parameter	Unit	240 GB	480 GB	960 GB
Length	mm	38.50 ± 0.20		
Width		29.60 ± 0.10		
Height		3.80 ± 0.15		
Weight	g ± 5%	6.3	6.3	6.43



For more information,  
contact your Apacer representative

### Global Presence

Taiwan (Headquarters)  
Apacer Technology Inc.  
Tel: +886-2-2267-8000  
Fax: +886-2-2267-2261

Europe  
Apacer Technology B.V.  
Tel: +31-40-267-0000  
Fax: +31-40-290-0686

U.S.A.  
Apacer Memory America, Inc.  
Tel: +1-408-518-8699  
Fax: 1-510-249-9551

Shanghai  
Apacer Electronic(Shanghai)  
Co., Ltd.  
Tel: +86-21-6228-9939

Japan  
Apacer Technology Corp.  
Tel: +81-3-5419-2668  
Fax: +81-3-5419-0018

India  
Apacer Technologies Pvt. Ltd.  
Tel: +91-80-41529061~3  
Fax: +91-80-41700215