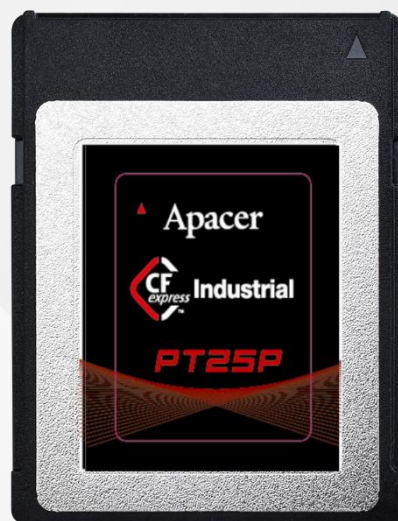


Apacer

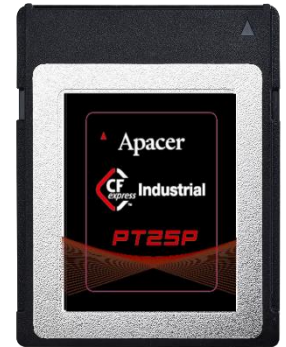
The Most **Reliable**
Storage For Industries

PT25P-CFX



Overview

Apacer Industrial CFexpress PT25P-CFX is the next generation Solid State Drive (SSD), providing full compliance with PCIe Gen4 x2 interface and NVMe 2.0 specifications. This allows it to operate in power management modes, greatly saving on power consumption. Built with a powerful PCIe controller that supports on-the-module ECC as well as an efficient wear-leveling scheme, PT25P-CFX delivers exceptionally low latency and outstanding performance in data transfer. With its compact design and high-speed storage capabilities, PT25P-CFX is the ideal choice for larger, faster hosts deployed in a wide range of applications that demand outstanding performance.



Utilizing 3D NAND technology for higher capacities up to 1TB and offering superior power efficiency compared to 2D NAND, PT25P-CFX is equipped with advanced features to enhance SSD performance and reliability. It incorporates an LDPC (Low Density Parity Check) ECC engine to extend SSD endurance and enhance data reliability.

Additionally, the SSD is equipped with a built-in thermal sensor that utilizes S.M.A.R.T commands to monitor temperature, along with thermal throttling functionality that dynamically adjusts frequency scaling to maintain optimal performance and prevent overheating.

Featuring CorePower technology, PT25P-CFX ensures data integrity and stable transmission even during unexpected power loss. This is achieved through a backup power supply using tantalum capacitors, allowing sufficient time to transfer cached data to NAND flash. For demanding applications, PT25P-CFX also features End-to-End Data Protection, which safeguards data integrity at multiple points along the data transfer path, enabling dependable delivery of data transfers.

From a security standpoint, the Advanced Encryption Standard (AES) safeguards data, providing users with confidence that their data is protected against unauthorized access. PT25P-CFX incorporates various features, including flash block management, page mapping, TRIM, Hyper Cache technology, SMART Read Refresh, and power saving modes.

With exceptional performance, trustable reliability, and enhanced data protection, PT25P-CFX is definitely the ideal storage or cache solution for a variety of applications ranging from industrial, imaging, computing to enterprise markets.

Feature

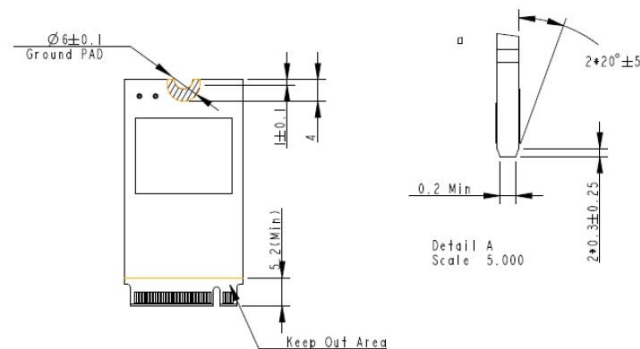
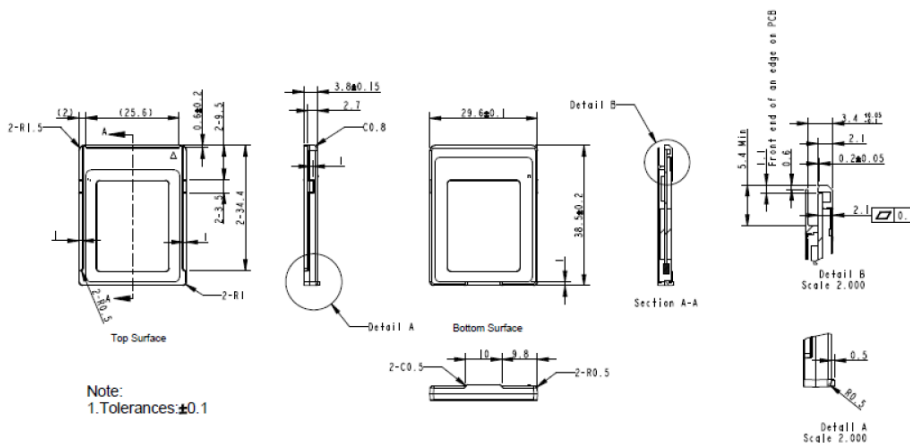
- Low-Density Parity-Check (LDPC) Code
- Global Wear Leveling
- Flash bad-block management
- Flash Translation Layer: Page Mapping
- S.M.A.R.T.
- TRIM
- Hyper Cache Technology
- SMART Read Refresh™

Specifications

Model	PT25P-CFX
Interface	PCIe Gen4 x2
Connector	
Form Factor	CFexpress 2.0 Type B
NAND Flash Type	3D TLC
Capacity	128GB-1024GB
External DRAM	No
Sustained Read Performance (MB/sec)	Up to 3,700
Sustained Write Performance (MB/sec)	Up to 3,090
ECC Engine	Low-Density Parity-Check (LDPC) Code
IOPs (4K Random Write)	577K
Standard Operating Temperature (°C)	0 ~ + 70
Extended Operating Temperature (°C)	No
Storage Temperature (°C)	-55 ~ + 100
Thermal sensor	Yes
Shock	Operation: Acceleration, 50(G)/11(ms)/half sine (compliant with MIL-STD-202G) Non-operation: Acceleration, 1500(G)/0.5(ms)/half sine (compliant with MIL-STD-883K)
Vibration	Operation:7.69 GRMS, 20~2000 Hz/random (compliant with MIL-STD-810G) Non-operation:4.02 GRMS, 15~2000 Hz/random (compliant with MIL-STD-810G)
Operating Voltage	3.3V ±5%
Power Consumption	Active mode: 1135 mA / Idle mode: 155mA
Dimension (L x W x H)	29.60 x 38.50 x 3.80 (max.)
MTBF (hours)	>3,000,000

Mechanical Specification

Parameter	Unit	240 GB	480 GB	960 GB
Length	mm	38.50 ± 0.20		
Width		29.60 ± 0.10		
Height		3.80 ± 0.15		
Weight	g ± 5%	6.3	6.3	6.43



For more information,
contact your Apacer representative

Global Presence

Taiwan (Headquarters)
Apacer Technology Inc.
Tel: +886-2-2267-8000
Fax: +886-2-2267-2261

Europe
Apacer Technology B.V.
Tel: +31-40-267-0000
Fax: +31-40-290-0686

U.S.A.
Apacer Memory America, Inc.
Tel: +1-408-518-8699
Fax: 1-510-249-9551

Shanghai
Apacer Electronic(Shanghai)
Co., Ltd.
Tel: +86-21-6228-9939

Japan
Apacer Technology Corp.
Tel: +81-3-5419-2668
Fax: +81-3-5419-0018

India
Apacer Technologies Pvt. Ltd.
Tel: +91-80-41529061~3
Fax: +91-80-41700215