

Apacer

The Most **Reliable**
Storage For Industries

CV120-MSD



CV120-MSD

Overview

Apacer microSD CV120-MSD is compatible with the microSD card version 6.1. The command list supports [Physical Layer Specification Ver6.10 Final] definitions. Card Capacity of Non-secure Area, Secure Area Supports [Part 3 Security Specification Ver4.0 Final] Specifications.



The microSD 6.1 card comes with 8-pin interface. It can alternate communication protocols between the SD mode and SPI mode. It performs data error detection and correction with very low power consumption. It supports capacity up to 512GB with exFAT SDXC.

Apacer microSD CV120-MSD Secure Digital 6.1 with high performance, good reliability and wide compatibility is nowadays one of the most popular cards with customized firmware techniques in semi-industrial/medical markets already.

* The actual available memory on the device is less than what is listed on the package. This is due to small discrepancies in file formats and algorithms used by various operating systems. In addition, a portion of memory space is reserved for system files and data sectors for better performance.

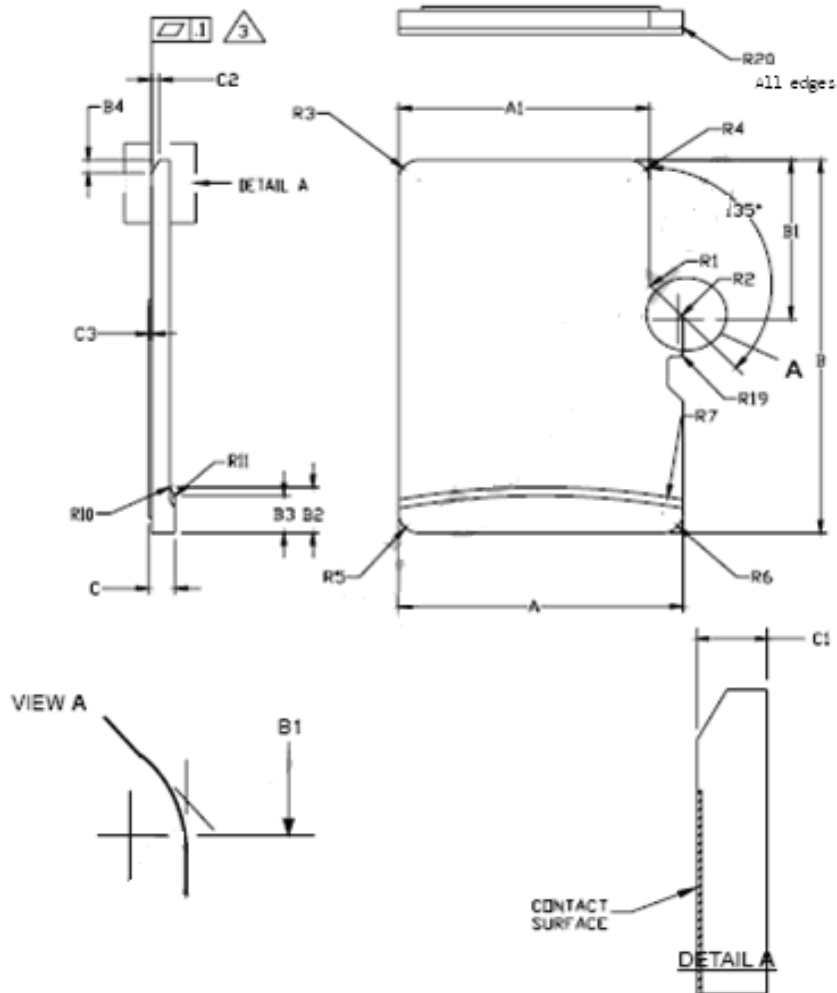
Feature

- Built-in advanced ECC algorithm
- Global Wear Leveling
- Flash bad-block management
- Power Failure Management
- Flash Translation Layer: Page Mapping
- S.M.A.R.T. Support
- SMART Read Refresh TM

Specifications

Model	CV120-MSD
Interface	SD6.1
Connector	–
Form Factor	microSD
NAND Flash Type	3D TLC
Capacity	64GB~512GB
Sequential Read Performance (MB/sec)	Up to 90
Sequential Write Performance (MB/sec)	Up to 85
ECC Engine	Built-in advanced ECC algorithm
IOPS (4K Random Write)	1900
Standard Operating Temperature (°C)	-25 ~ + 85
Extended Operating Temperature (°C)	-40 ~ + 85
Storage Temperature (°C)	-40 ~ + 85
Housing	Yes
H/W Write Protect	–
Shock	1,500G, 0.5ms
Vibration	20Hz~80Hz/1.52mm (frequency/displacement) 80Hz~2,000Hz/20G (frequency/accelerate)
Operating Voltage	2.7V ~ 3.6V
Power Consumption	Active mode: 80 mA & Idle mode: 190 uA
Dimension (L x W x H)	15 x 11 x 1 mm
MTBF (hours)	>3,000,000

Mechanical Specification



Unit: mm

**For more information,
contact your Apacer representative**

Global Presence

Taiwan (Headquarters)
Apacer Technology Inc.
Tel: +886-2-2267-8000
Fax: +886-2-2267-2261

Europe
Apacer Technology B.V.
Tel: +31-40-267-0000
Fax: +31-40-290-0686

U.S.A.
Apacer Memory America, Inc.
Tel: +1-408-518-8699
Fax: 1-510-249-9551

Shanghai
Apacer Electronic(Shanghai)
Co., Ltd.
Tel: +86-21-6228-9939

Japan
Apacer Technology Corp.
Tel: +81-3-5419-2668
Fax: +81-3-5419-0018

India
Apacer Technologies Pvt. Ltd.
Tel: +91-80-41529061~3
Fax: +91-80-41700215